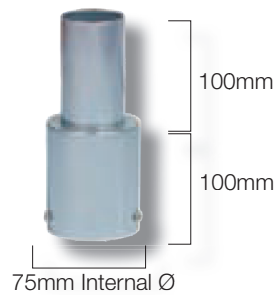


ATLANTIC BRACKET OPTIONS



SINGLE FLOOD



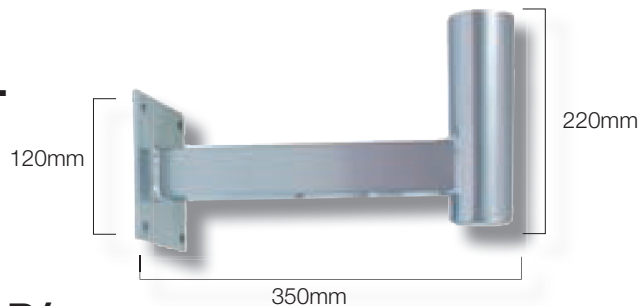
ATL/75/60

SPIGOT REDUCER



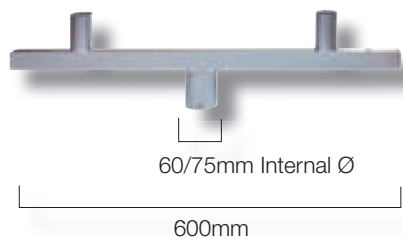
ATL/FX1

POST TOP/ SPHERE WALL BRACKET



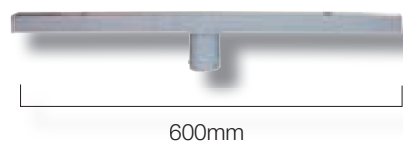
WALL 90° 75/60 Ø

TWIN POST TOP/ SPHERE



ATL/FXT

TWIN FLOODS



ATL/FX2