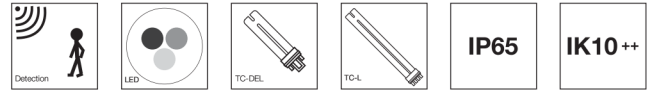


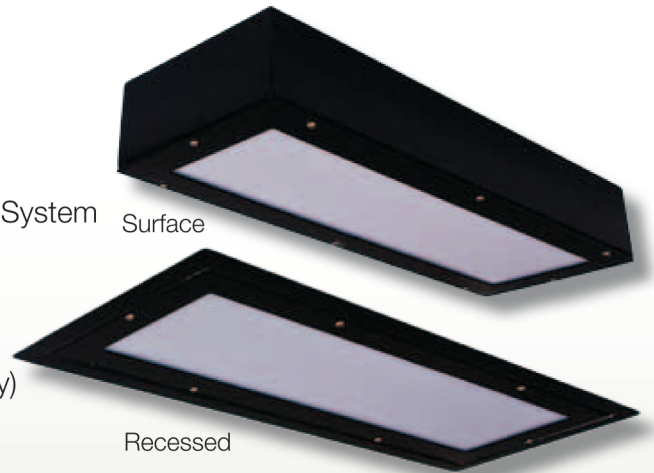


# BATTALION RANGE

## HEAVY VANDAL RESISTANT RANGE



- IP65 – IK10++
- Solid Steel Body and Frame
- Optional VANDACOAT offering enhanced Corrosion/Vandal & Graffiti Resistant Coating System
- Regressed Gasketed Bezel
- Captive 10mm Polycarbonate Panel
- Surface / Recess Mount Versions
- Microwave Motion Detection option (LED Only)
- Longlife 50,000 hrs Fluorescent options
- LED Option



### DESCRIPTION

Heavy robust constructed steel progressed luminaire. Fully welded galvanised primed body, texture black finish. Resist Torx security screw fix. Surface & Recessed mount versions.

### APPLICATION

SubWays, Prisons, Public Spaces, Multi Storey Car Parks, Police Stations, Local Authority Applications etc

### RANGE AVAILABLE

Catalogue No.	Description	Length	Weight (Kg)	Dimensions
BAT218	2x18w HF TC-DEL	1ft/ 370mm	4.5 Kg	
BAT226	2x22w HF TC-DEL	1ft/ 370mm	4.5 Kg	
BAT236	2x36w HF TC-L	2ft/ 670mm	8.0 Kg	
BAT240	2x40w HF TC-L	2ft/ 670mm	8.0 Kg	
BAT255	2x55w HF TC-L	2ft/ 670mm	8.0 Kg	

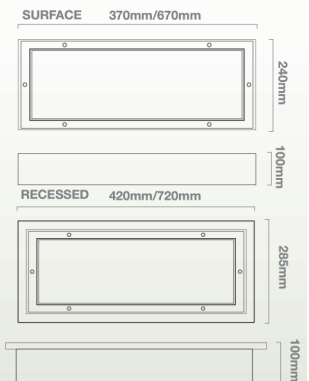
**LED Versions** (Please refer to website for current technical specification)

Wattage p/mtr	No LED's	Voltage	Lms
(Compromising of 10 qty x 100mm sections of 2.3w)			
BAT23wLED	60	24v/240v	2100 } per lampway
Various T5/T8 type LED Tubes on request			
Available in colour temp 3000/4000/5000k			

#### Suffix

/O	Opal Poly Diffuser
/P	Clear Stippled Poly Diffuser
/NL	Night Light
/EM3	Integral Maintained Emergency – 2 x 18w & 2 x 36w versions only
/SD	Security Screwdriver
/SM	Surface Mount
/RM	Recess Mount
/M-Wave	Microwave Motion Detection option
/LIFE	Long Life Fluorescent option
/VCOAT	VANDACOAT Enhanced External Coating system

\*Various RAL colour options



Cut out 380/680mm x 250mm  
Recessed version